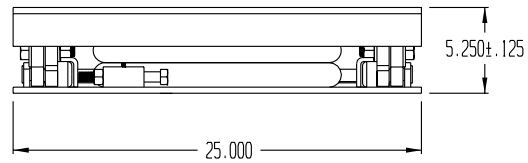
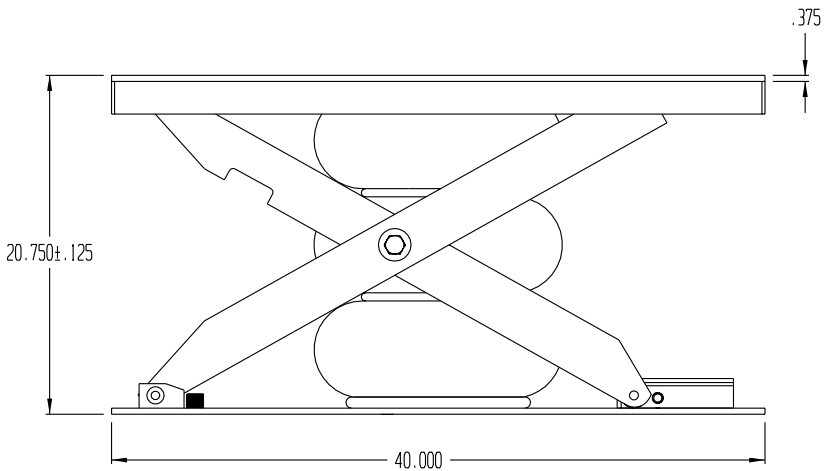
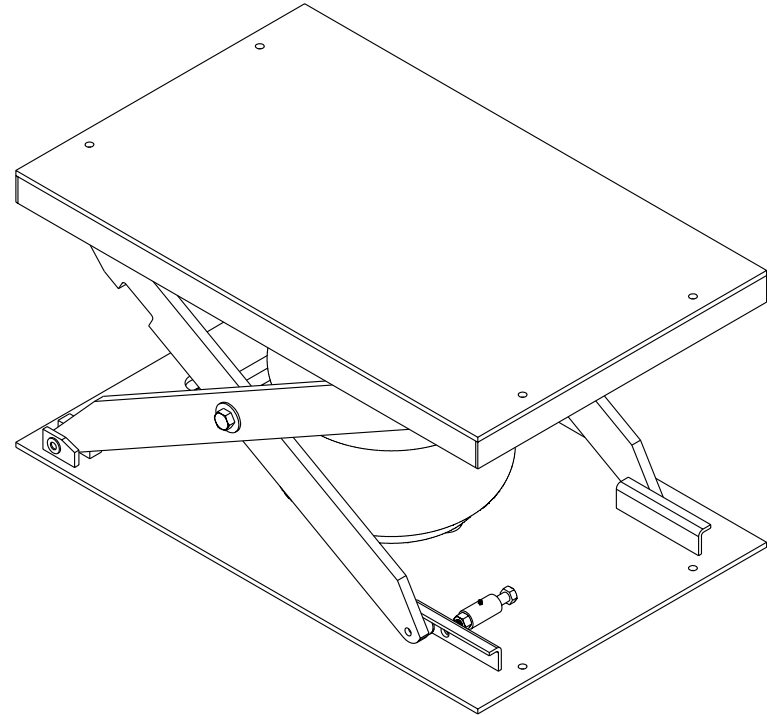
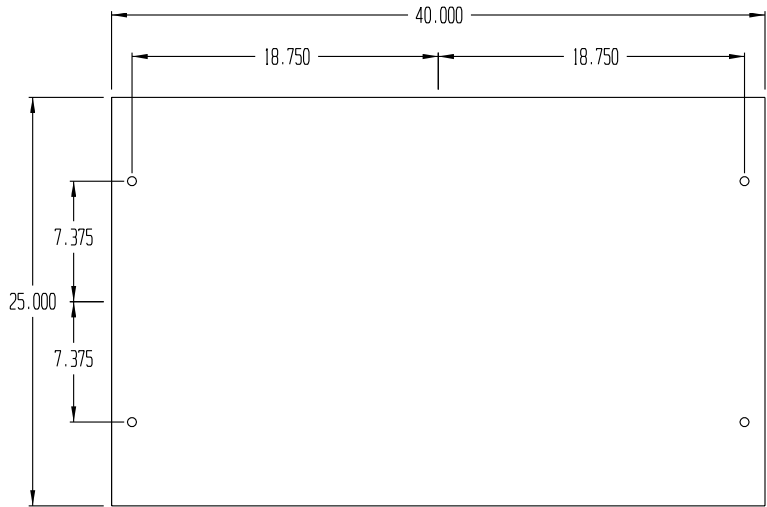


PART #: V360

REVISIONS			
REV	DESCRIPTION	DATE	APPROVED



LIFT SPECIFICATIONS
 CAPACITY: 4000
 SAFETY FEATURES: PRESSURE RELIEF VALVE

PDS	PART#	MATERIAL#	DESCRIPTION	QTY	UNIT
<p>TOLERANCES UNLESS OTHERWISE NOTED .X ± .250 .XX ± .125 .XXX ± 0.030 .XXXX ± 0.0050 ANGLE ± 1°</p>					
			2760 RIDGEWAY COURT • WALLED LAKE, MI. 48390-1662 TITLE: LIFT MODULE V360 (12152)		
DRN: JP 08-04-06		MATERIAL:			
PART #: V360		CHKD. BY:	DWG NO.: 02064045	REV:	REF: