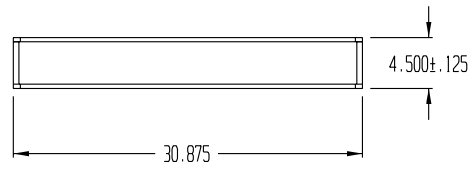
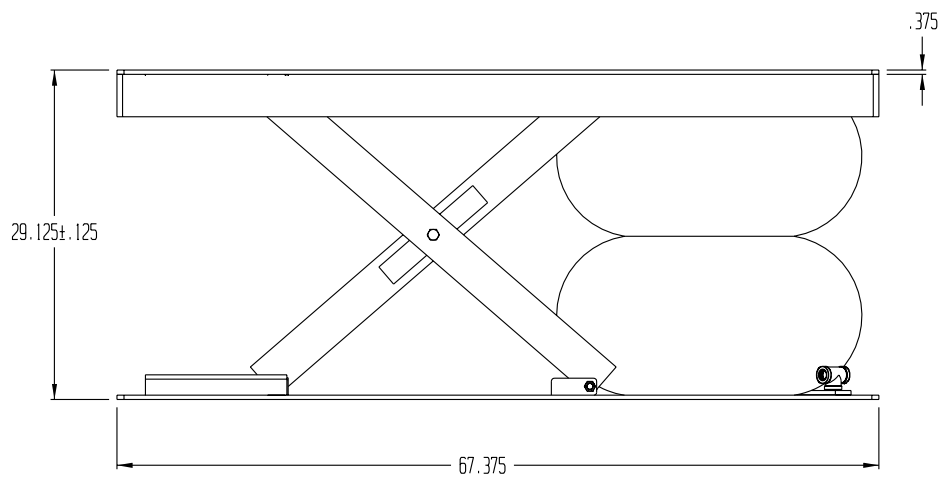
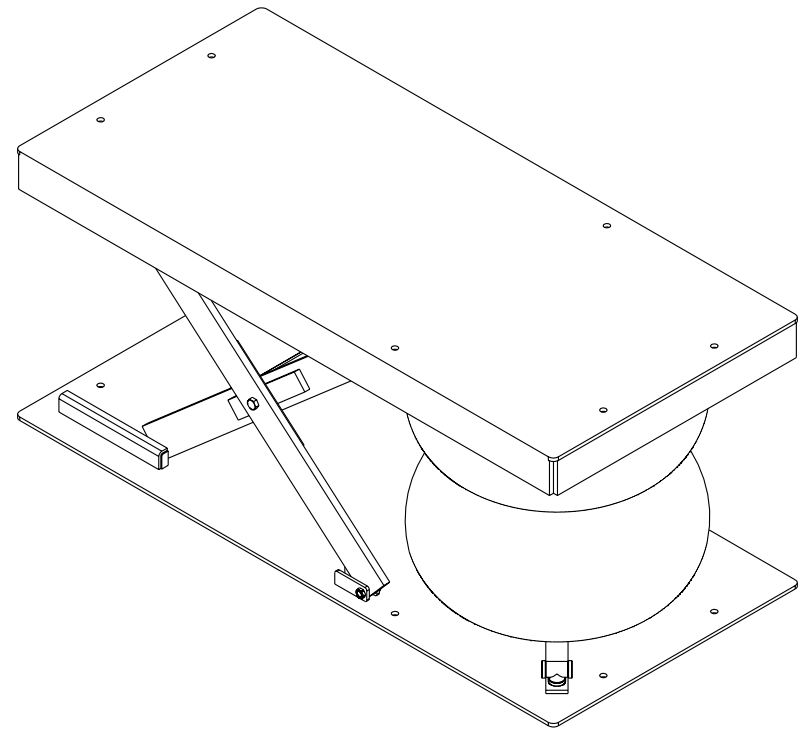
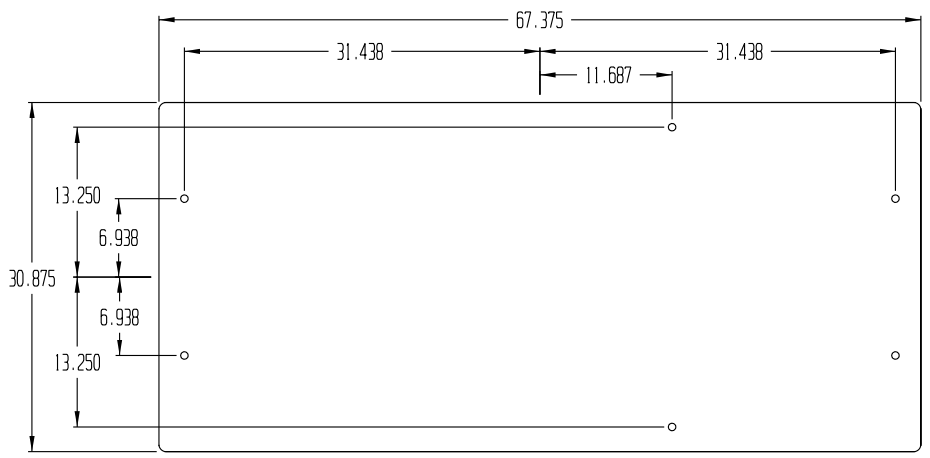



PART #: V500

REVISIONS			
REV	DESCRIPTION	DATE	APPROVED



LIFT SPECIFICATIONS
 CAPACITY: 5000 LBS
 SAFETY FEATURES: PRESSURE RELIEF VALVE

PDS	PART#	MATERIAL#	DESCRIPTION	QTY	UNIT
TOLERANCES UNLESS OTHERWISE NOTED		 2760 RIDGEWAY COURT • WALLED LAKE, MI. 48390-1662 TITLE: LIFT MODULE V500			
.X	± .250				
.XX	± .125				
.XXX	± 0.030				
.XXXX	± 0.0050				
ANGLE ± 1°					
DRN:	JP 08-04-06	MATERIAL:			
PART #:	V500	CHKD. BY:	DWG NO.:	02064055	REV: REF: