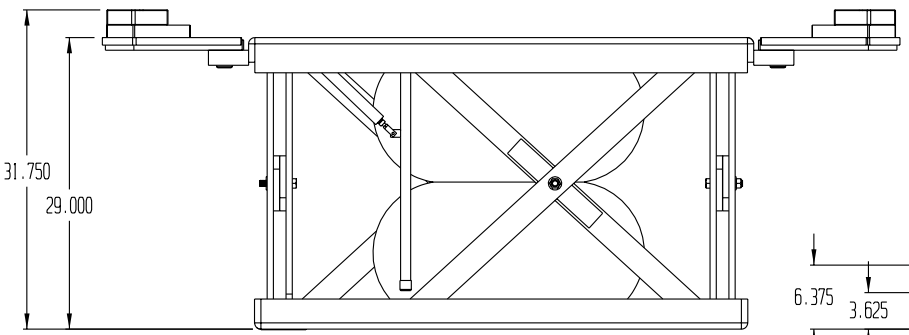
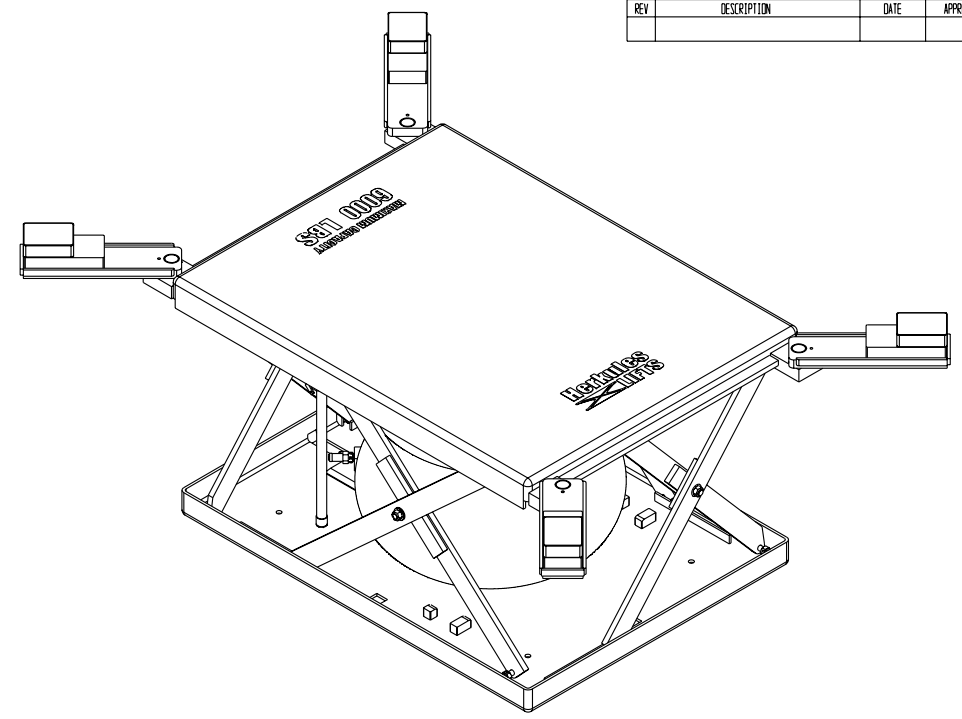
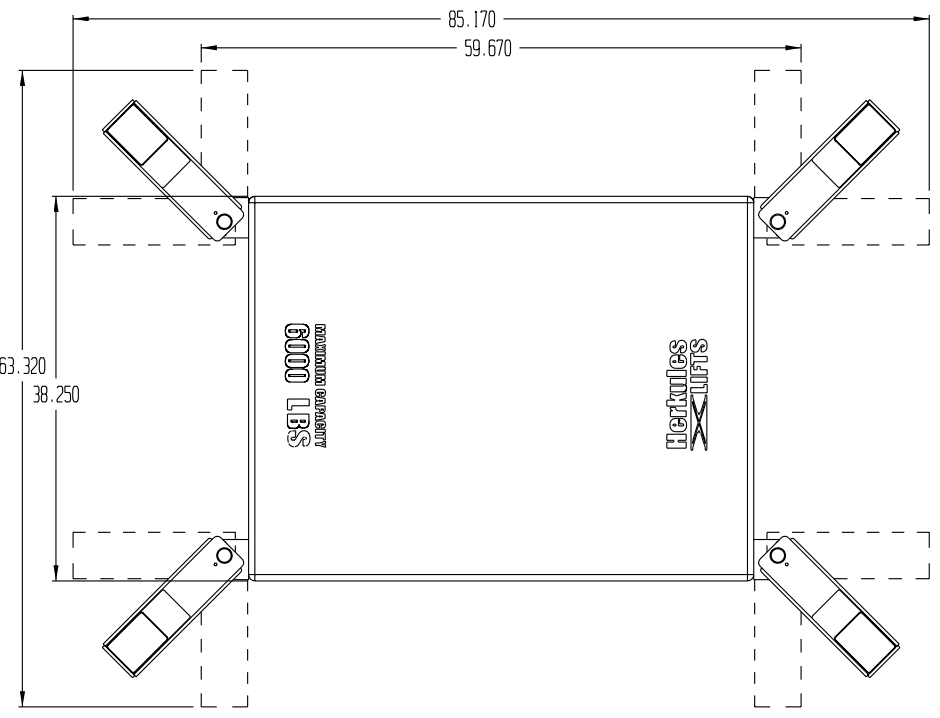



PART #: K900

REVISIONS			
REV	DESCRIPTION	DATE	APPROVED



POS	PART#	MATERIAL#	DESCRIPTION	QTY	UNIT
TOLERANCES UNLESS OTHERWISE NOTED					
.X ± .250					
.XX ± .125					
.XXX ± 0.030					
.XXXX ± 0.0050					
ANGLE ± 1°					
DRN: ME 4-21-06		MATERIAL:			
PART #: K900		CHKD. BY: DWG NO.: 02063852 REV: REF:			



2760 RIDGEWAY COURT • WALLED LAKE, MI. 48390-1662
TITLE: LIFT VEHICLE SWVL SWNG ARMS