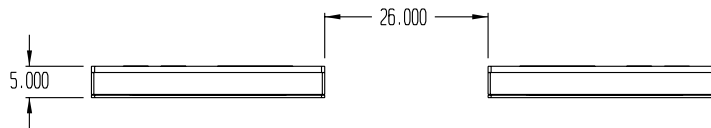
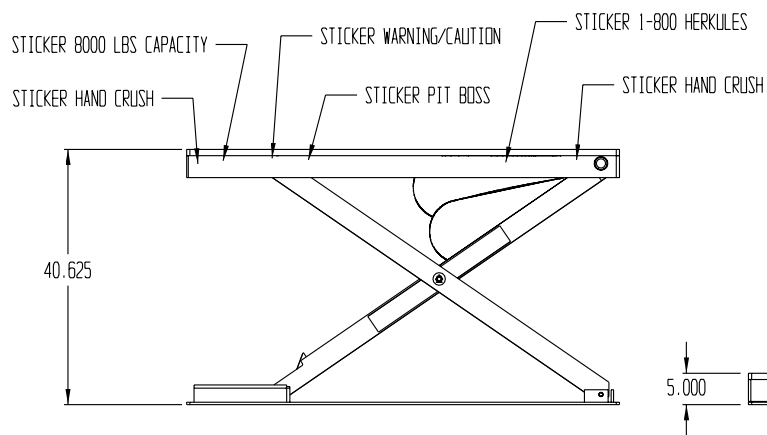
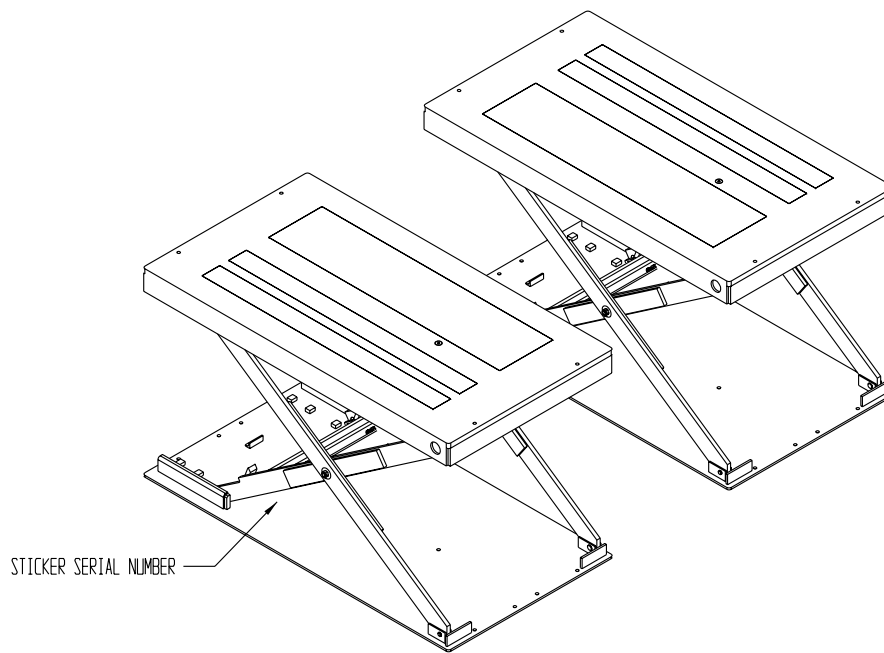
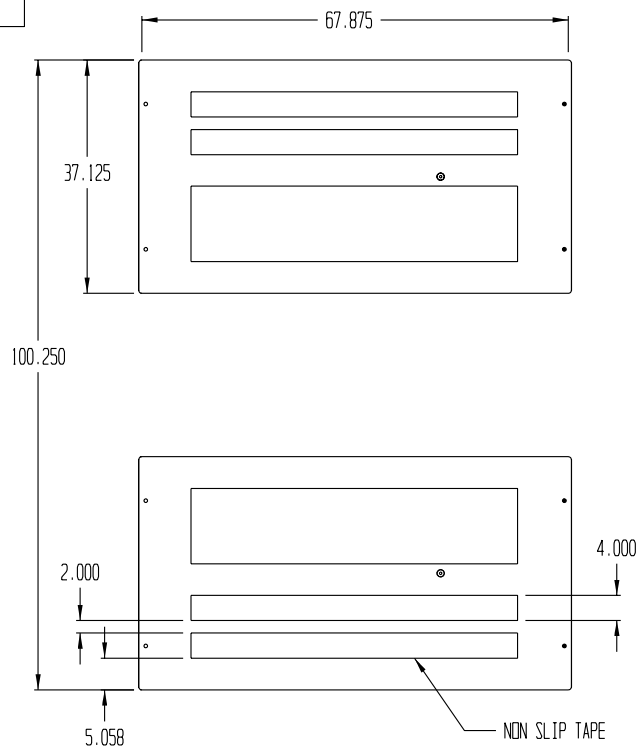


PART #: T600

REVISIONS			
REV	DESCRIPTION	DATE	APPROVED



PDS	PART#	MATERIAL#	DESCRIPTION	QTY	UNIT
<p>TOLERANCES UNLESS OTHERWISE NOTED</p> <p>.X ± .250</p> <p>.XX ± .125</p> <p>.XXX ± 0.030</p> <p>.XXXX ± 0.0050</p> <p>ANGLE ± 1°</p>					
			2760 RIDGEWAY COURT • WALLED LAKE, MI. 48390-1662		
DRN: JP 07-25-06			MATERIAL:		
PART #: T600			TITLE: LIFT TIRE CHANGE T600		
CHKD. BY:		DWG NO.: 02064003		REV: REF:	